

# Instruction Manual

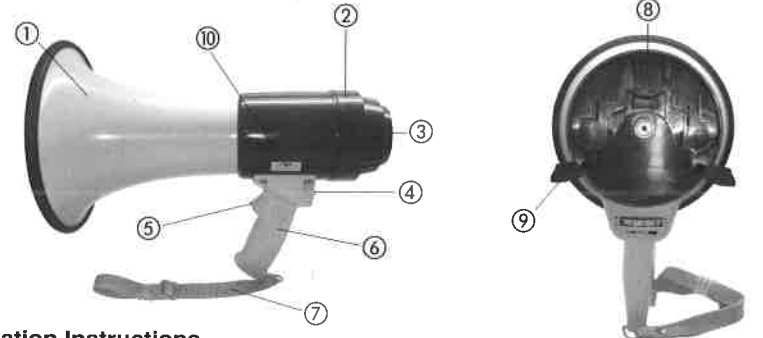
Thank you for choosing the megaphone. Please read this instruction manual before using the product in order to have the best result.

## 1. Parts & accessories List

- 1.1 Megaphone (including shoulder strap)
- 1.2 Top lid set
- 1.3 Size C battery holder (w/o battery)
- 1.4 Instruction Manual

## 2. Parts and Functions

- ①Horn speaker: To transform electronic signal into sound.
- ②Top lid set: A microphone is included in the top lid set and the batteries can be loaded when it is open.
- ③Microphone: It is a uni-directional dynamic microphone, which could transform the input voice into electronic signal.
- ④Volume Controller: To control the output sound volume. You could adjust the volume from 0~10, the larger number the larger volume is.
- ⑤Press-to-talk button: Press this button for announcing.
- ⑥Grip Handle: To hold the megaphone in hand.
- ⑦Shoulder strap: To carry the megaphone by shoulder.
- ⑧Battery holder: To carry 10 Size C rechargeable batteries or dry batteries.
- ⑨Battery holder clips: To fix the battery holder.
- ⑩Signal Switch: Turn to "M" to announce, turn to "F" to have fog horn signal, turn to "W" to have whistle signal, and turn to "S" to have siren signal. (Please note that you could not adjust the volume while operating the S, F or W function. The model without this switch does not have this function.)



## 3. Operation Instructions

For environmental protection consideration, this product is ideally to be operated by rechargeable batteries in order to achieve the best functional performance. If the rechargeable batteries are not available, you could use dry batteries instead. However, the functional performance will not be as good as using the rechargeable batteries. Please see the specifications in the following comparison table.

- 3.1 Install batteries
  - 3.1.1 Open the top lid set, turn both the battery holder clips outward and take out the battery holder.
  - 3.1.2 Load 10 Size C rechargeable batteries or dry batteries into the battery holder, and place the battery holder into the megaphone follow the direction arrow. (Please note that the battery holder can not be put into megaphone if you place it in the wrong direction. If you force the battery holder into the megaphone in the wrong direction, it may damage the megaphone.)
  - 3.1.3 Make sure that the battery holder has been loaded appropriately, press the battery

- holder down and turn both the battery holder clips inward to fix the battery holder.
- 3.1.4 Close the top lid in the clockwise direction
- 3.2 Microphone Function:
  - 3.2.1 Switch the signal switch to "M" position
  - 3.2.2 Press the press-to-talk button; adjust the volume with the volume controller. The closer to the microphone, the louder sound level is.
  - 3.2.3 If unpleasant feedback happened while using the megaphone, turn the volume down until the feedback stopped.
- 3.3 Switch the signal switch to "F" position to have fog horn signal, "W" position to have whistle signal, or "S" position to have siren signal, then press the press-to-talk button.

## 4. Basic Troubleshooting

- 4.1 When the megaphone does not work.
  - 4.1.1 Check if the press-to-talk button function normally.
  - 4.1.2 Check if the battery capacity is low.
  - 4.1.3 Check if the batteries have been placed in the right directions.
  - 4.1.4 Check if the battery holder clips are in the right positions.
  - 4.1.5 Check if the top lid has been closed firmly.
- 4.2 When the signal does not work, check if the signal switch has been switched in the right position.

## 5. Specifications

Model	Battery spec	Rechargeable batteries size: Cx10pcs	Dry cells size: Cx10pcs
Rated output power		25W	25W
Max. output power		35W	35W
Battery life approx		Approx 12 hours (Voice) Approx 40 minutes (S.W.F)	Approx 8 hours (Voice) Approx 30 minutes (S.W.F)
Effective distance		Approx 550M (Voice) Approx 550M (S.W.F)	Approx 500M (Voice) Approx 500M (S.W.F)
Battery efficiency		Approx 80%	Approx 78%
Cartridge		Uni-directional Dynamic cartridge	Uni-directional Dynamic cartridge
Dimension		ø225mm x368mm	ø225mm x368mm
Weight		1040g (W/O battery)	1040g (W/O battery)

## 6. Precautions

- 6.1 Do not expose the product under the sunlight or place in a high temperature environment for a long period.
- 6.2 In order to prevent the damage of the electronic circuit, avoid exposing the product to rain, water or placing the products in a humid environment for a long period.
- 6.3 Do not place the horn close to ear while operating the megaphone.
- 6.4 If you will not use the megaphone for a long period, please remove the batteries in the battery holder in order to prevent the battery leaking which may damage the electronic circuit.
- 6.5 If you would like to clean the megaphone, please apply with neutral detergent. Please do not use any detergent contains benzene.
- 6.6 This product should be kept away from the screen of TV set, computer and any electronic device with CRT to prevent interfering the normal screen function.



**AHM-656/656S**

使用説明書