

Dimension sheet for REFLECTA/3

A (Thickness of deck and foundation¹)

 mm

B (Height of wheelhouse)

 mm

C (Thickness of platform)

 mm

F (Ceiling)

 mm

G (Height of reflection mirror²)

 mm

J (Cardheight above base)

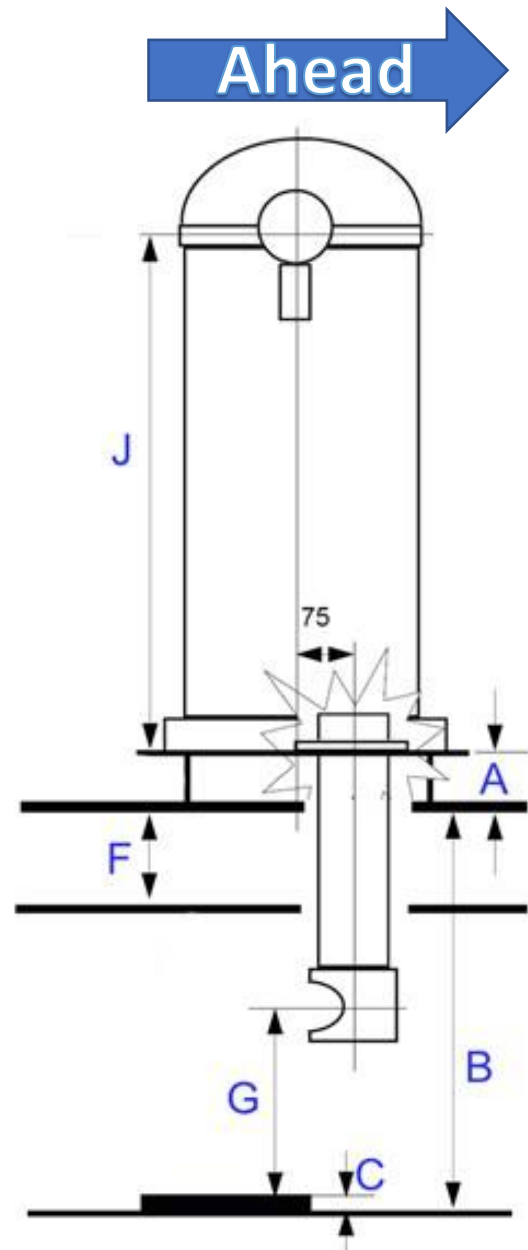
- 920mm
 1,100mm (Standard)
 1,700mm

Ship's MAIN voltage

- 24V 115V 230V

Ship's EMERGENCY voltage

- 24V 115V 230V



Remark CUTUBE:

In case the specifications are unknown we recommend ordering a CUTUBE reflection tube. The maximum length is 1,200mm and can be cut by the yard to the required length.

¹ Foundation supplied by yard

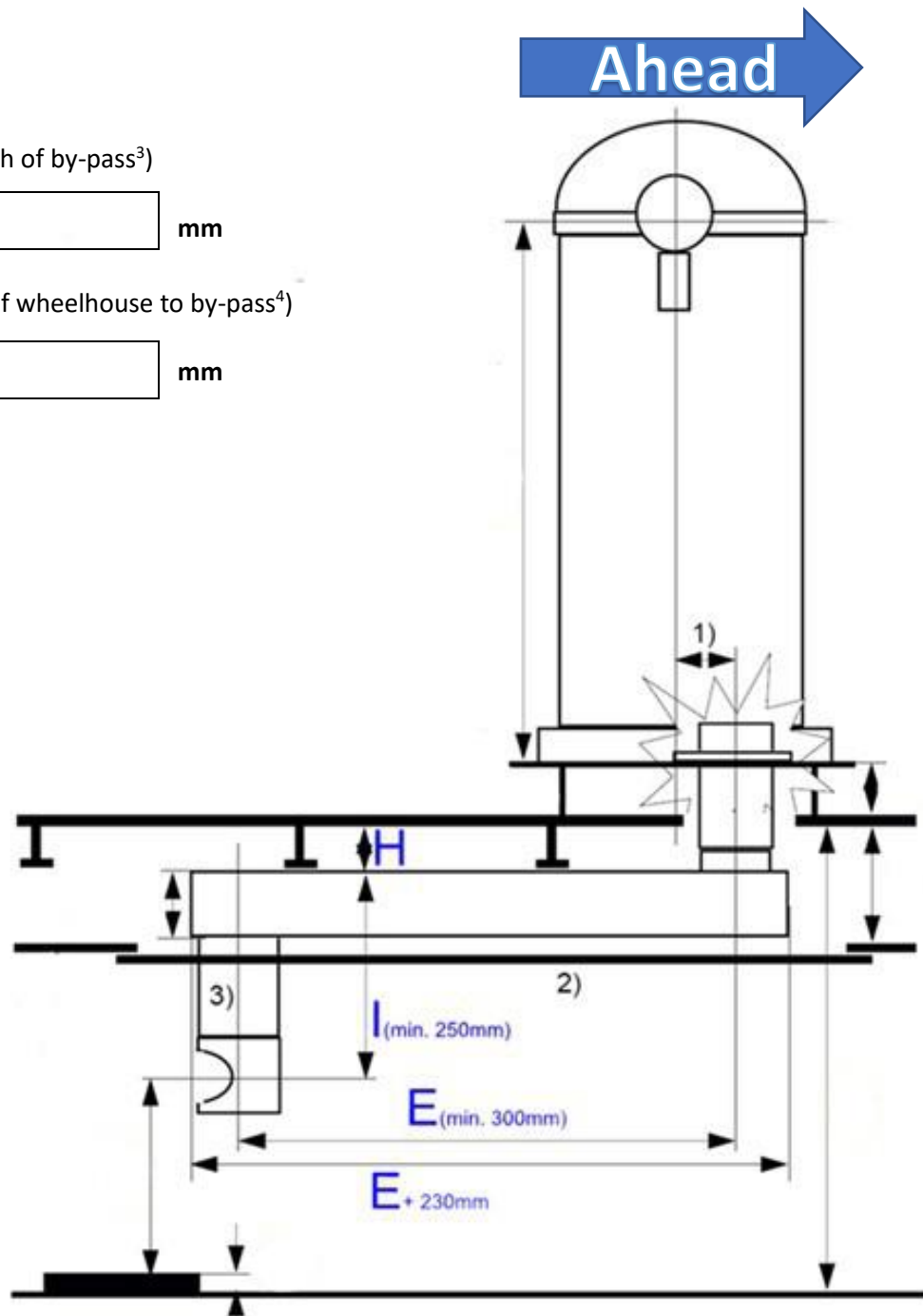
² Height of eye + 100mm (without specification = 1,800mm)

By-pass for REFLECTA/3

E (Horizontal length of by-pass³)

 mm

H (Distance roof of wheelhouse to by-pass⁴)

 mm


³ Maximum optical way (A+H+E+I) = 3,000mm