

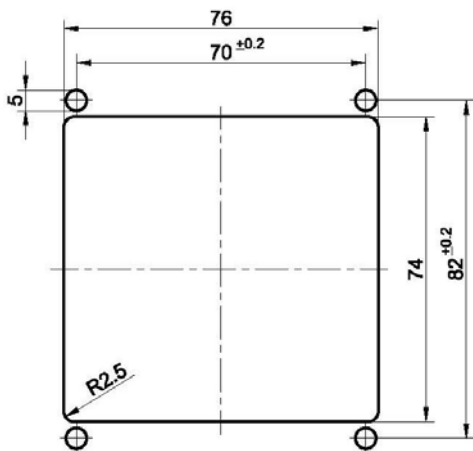
Dimmer 230V AC, 115V AC and 24V DC installation instructions:



Technical specifications:

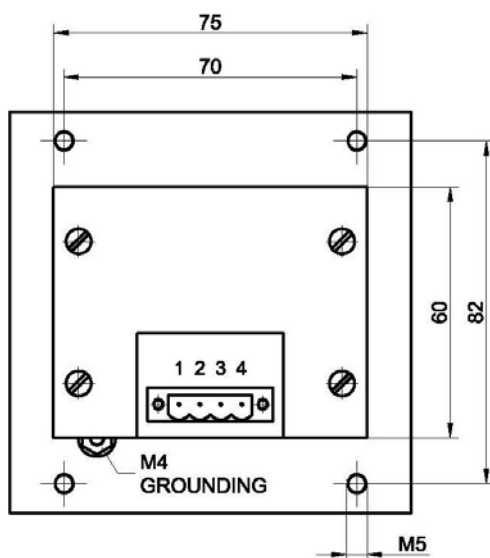
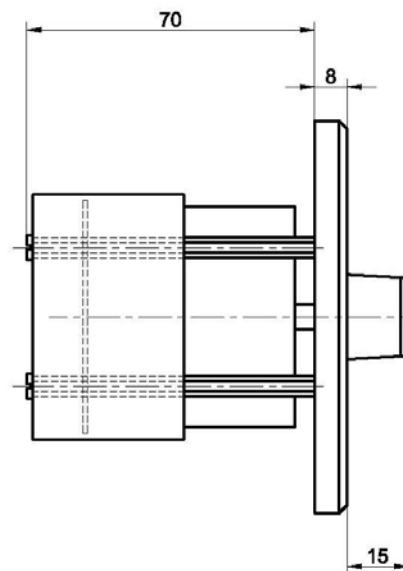
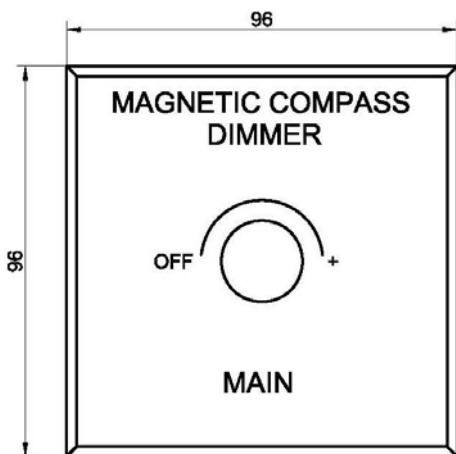
Technology:	Rheostat	
Resistance:	230V AC version:	1.5kOhm
	115V AC version:	680Ohm
	24V DC version:	470hm
Tolerance:	10%	
Dimensions:	96x96x93mm	
Max. load:	40W	

Cut-out and drilling scheme:

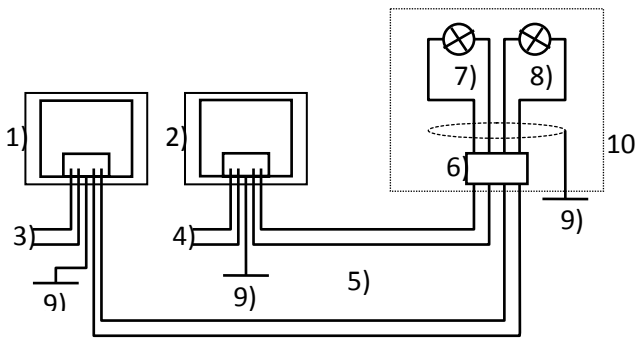


Important:
 Rheostat will be hot during operation!
 Please make sure free air circulation
 behind the dimmer inside bridge
 console!

Dimensions:



Wiring:



- 1) Main dimmer (option) seen from rear
- 2) Emergency dimmer (option) seen from rear
- 3) Main supply voltage (230 VAC)
- 4) Emergency supply voltage (24 VDC, 115 VAC or 230 VAC)
- 5) Cable between dimmer and terminal box (yard supply)
- 6) Terminal box , inside bottom binnacle column
- 7) Emergency light bulb, max 40 VA
- 8) Main light bulb, max. 40 VA
- 9) Grounding
- 10) Parts inside compass binnacle.

Wiring diagram for 230V AC and 115V AC version:

Wiring diagram for 24V DC version:

