



Mounting Instruction

BETA/4 BETA/5

Spherical Overhead Compasses

Cassens & Plath GmbH

Manufacturers of Nautical Equipment

Am Lunedeich 131

D-27572 Bremerhaven, Germany

Tel. +49 471 4839990

Fax. +49 471 48399910

sales@cassens-plath.de

www.cassens-plath.de

1) Ahead orientation:

Mirror arrangement points in ahead direction. See Ahead marking



2) Dismantling of Compass for Installation:

Loosen these 4 screws around.
Caution!
When loosening these screws
the compass will fall down!

Do´nt open these screws, it will
open the compass bowl and fluid
will come out!

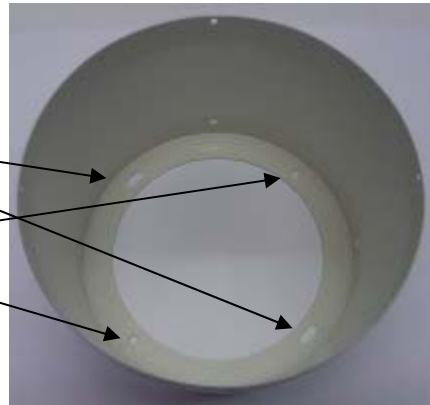


3.1) Fixing of BETA/4 binnacle:

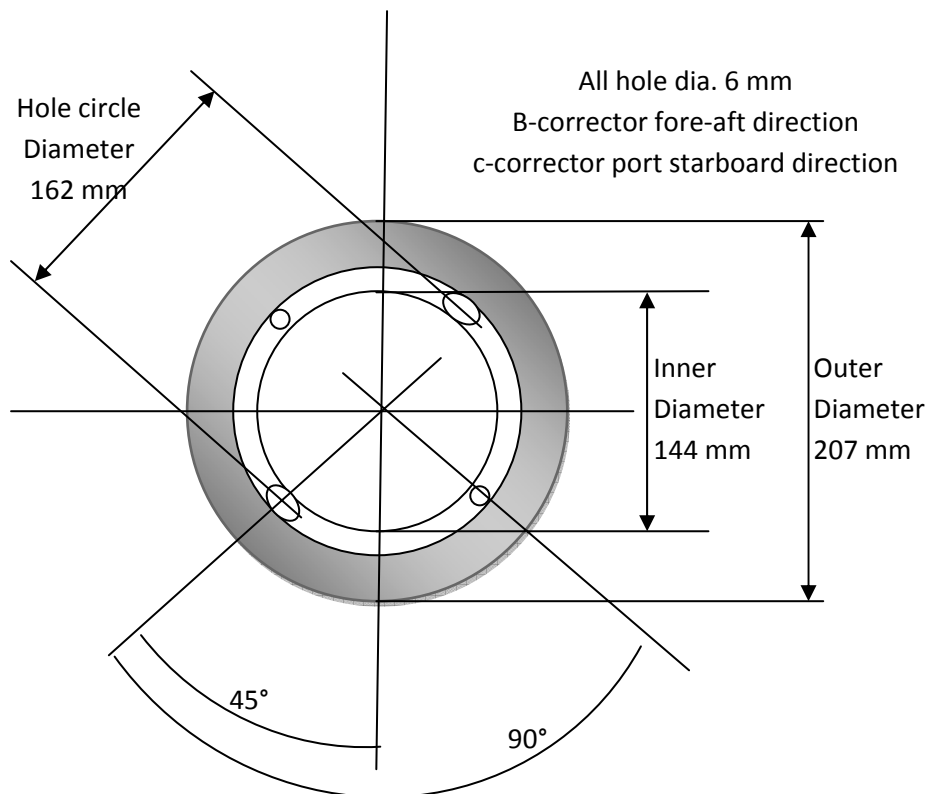
3.1.1) Use these screw holes

First temporarily fix the binnacle at oblong holes.

Then after final A-correction also fix at remaining circular holes.



3.1.2) Fixing screw arrangement

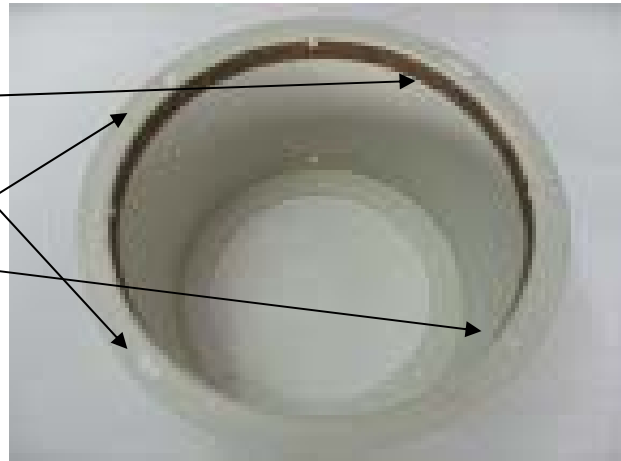


3.2) Fixing of BETA/5 binnacle:

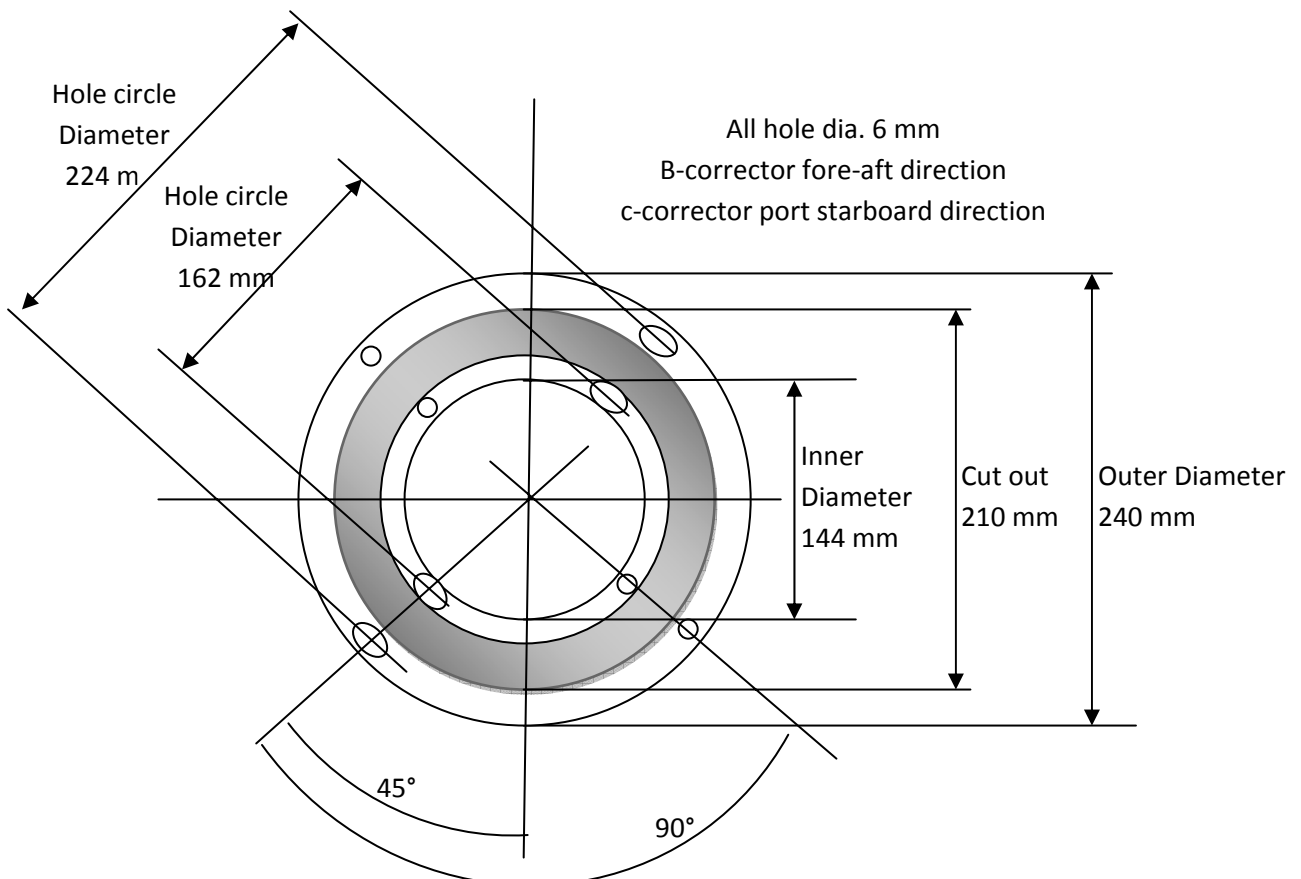
3.2.1) Use these screw holes:

First temporarily fix the binnacle at oblong holes.

Then after final A-correction also fix at remaining circular holes.



3.2.2) Cut out and fixing screw arrangement



4) Correctors:

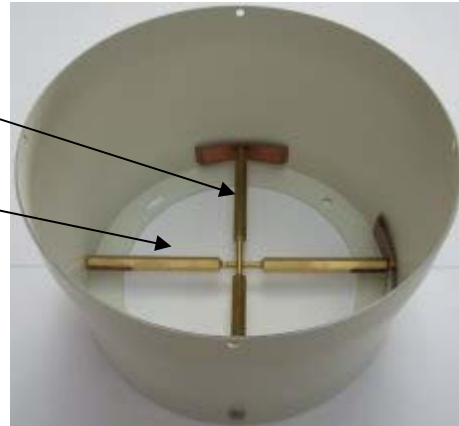
Compass adjustment must only be done by a licensed compass adjuster because of its safety relevance!

B-correctors (longitudinal)

and

C-correctors (cross ship)

Adjustment can be done from outside by a non magnetic (!) screwdriver.

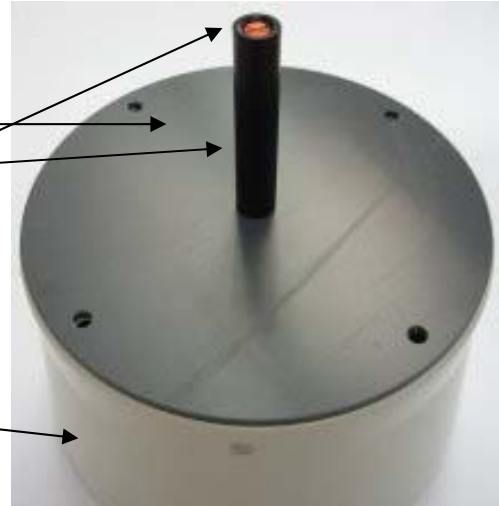


D-corrector brackets used in combination with a set of included weak iron μ -stripes.

Select the right length of necessary stripe and fix it between glass dome and bracket. For this loosen bracket screws.



Heeling corrector plate
consisting of grey, circular
fixing plate, —————
center magnet tube —————
and magnet element screw —————
inside to be installed in case
BETA/4 between
compass binnacle —————
and wheelhouse top
or
in case of BETA/5 at inside fixing
flange.
Screws are yard supply.
Use only non magnetic screws.



This picture as to be seen
through the wheelhouse top
deck. Magnetic tube points to
above.

How to adjust heeling errors?

Unscrew the magnetic element.

Find the right direction: North up or North down.

Find the right amount by reducing/increasing distance of magnet
element to compass.

5) Steering:

Arrange mirror device so that convenient reading of heading will be possible. Adjust here the position of mirror and here angle of mirror.

Be aware that compass heading must be corrected by:
Deviation (by compass adjustment),
Variation (difference between magnetic and true North).



6) Illumination:

Glue this light element to the glass dome surface. Select a most convenient position for your configuration.
Red dot = 24 VDC
no red dot = 12 VDC

