



Sestrel Navigator Compass Handbook

Sestrel

DISCLAIMER

In accordance with our policy of continuous development, changes may be made to products and/or documentation from time to time without prior notice.

TABLE OF CONTENTS

INSTALLATION	1
Positioning.....	1
Sestrel Navigator Compass Well-Fit Fitting.....	2
Sestrel Navigator Compass Binnacle Fitting.....	4
Exploded View of Sestrel Navigator Compass Binnacle	5
Access to Heeling Correction.....	6
TECHNICAL INFORMATION	7
OPTIONAL EXTRA	8
Sestrel Navigator Compass Lighting Control.....	8
Sestrel Navigator Compass Lighting Control Fitting.....	8
Detailed views of the Sestrel Navigator Compass Lighting Control.....	9
CONTACT DETAILS	11

INSTALLATION

Positioning

The Sestrel Navigator Compass Well-Fit and Binnacle model variants must be positioned on or as close to the longitudinal centre line of the vessel as possible to allow for the most accurate portrayal of heading information.

Please ensure that the location chosen is as free as possible from any magnetic influences that may interfere with the local magnetic field of the Sestrel Navigator Compass. Other compasses, loudspeakers, fire extinguishers, electric wiring and equipment, metallic parts of steering equipment, etc, could affect accuracy of compass readings.



Sestrel Navigator Compass Well-Fit Fitting

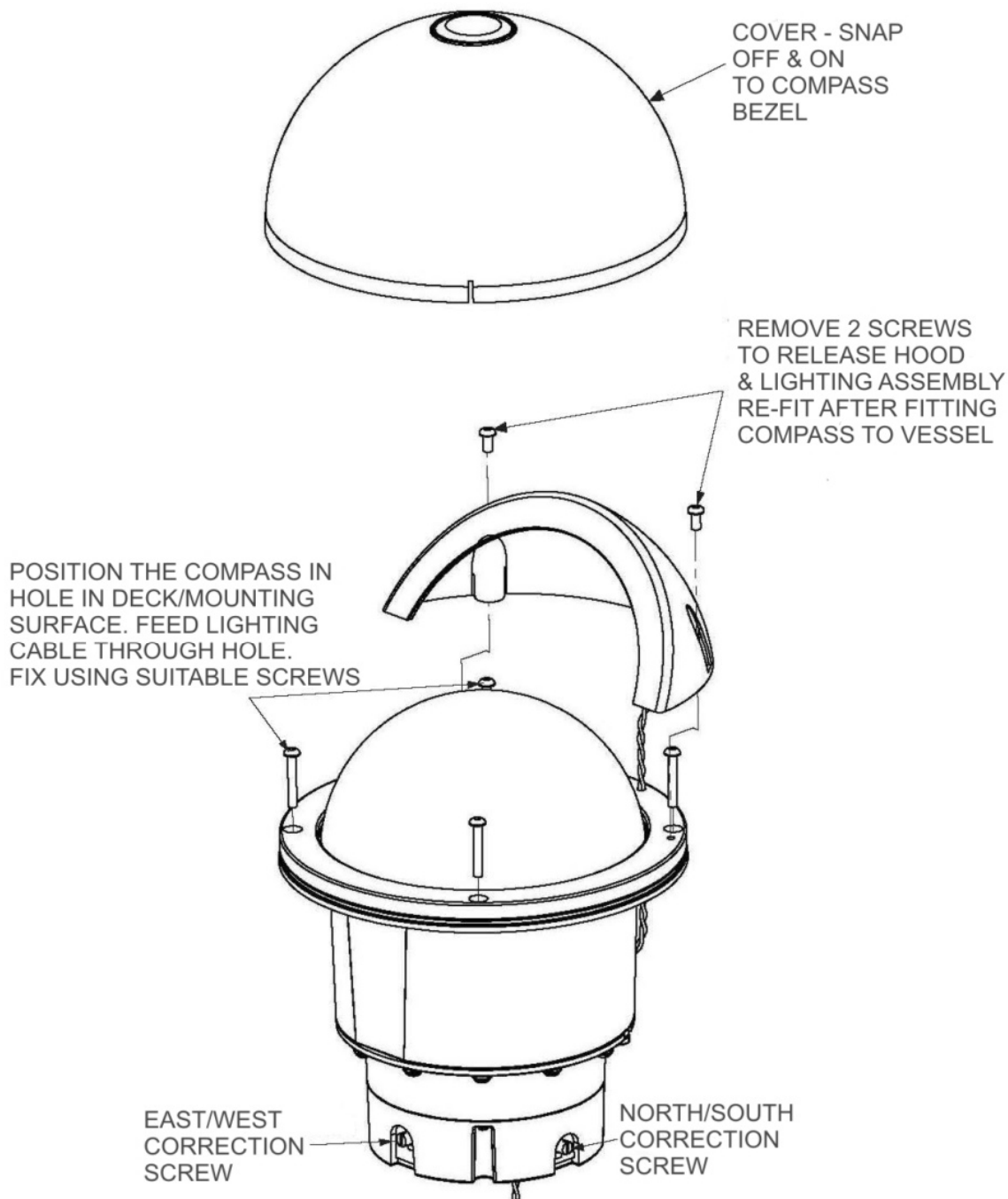
The Sestrel Navigator Compass Well-Fit is designed to fit securely into a mounting surface through an aperture as defined on the drilling/cutting template provided. Securing holes must be drilled exactly as indicated on the drilling/cutting template to ensure the Navigator is installed flush, watertight and free from any movement.

Before securing the Navigator Well-Fit to the mounting surface route the free end of the lighting cable through the corresponding hole in the mounting surface. Connect the cable to the vessel's power supply (12v or 24v D.C.) or to the output of the dimmer (if using the optional Sestrel Lighting Control FW7710). Ensure the polarity is correct: RED = +ve, BLUE = -ve.

Then using four non-magnetic fixing screws (not provided) the Sestrel Navigator Compass Well-Fit should be securely fixed to the deck/mounting surface.

Note – Heeling Correction, Deviation and Compensation procedures should be performed by a qualified Compass Adjuster after installation.

Exploded View of Sestrel Navigator Compass Well-Fit



SESTREL NAVIGATOR WELL-FIT

Fig. 1

Sestrel Navigator Compass Binnacle Fitting

The Sestrel Navigator Compass Binnacle requires a two stage installation to first secure the binnacle to the selected mounting surface followed by the installation of the Sestrel Navigator Well-Fit into the Binnacle.

Firstly drill the deck or mounting surface with the hole pattern on the drilling template provided and screw the binnacle to the mounting surface with suitable non-magnetic screws (not provided).

Route the free end of the lighting cable through the central hole of the binnacle and through the corresponding hole in the mounting surface. Connect the cable to the vessel's power supply (12v or 24v D.C.) or to the output of the dimmer (if using the optional Sestrel Lighting Control FW7710). Ensure the polarity is correct: RED = +ve, BLUE = -ve.

Assemble the compass into the binnacle as shown in Figure 2 on the next page.

Note – Heeling Correction, Deviation and Compensation procedures should be performed by a qualified Compass Adjuster after installation.

The correction screws are accessed through the two holes in the side of the binnacle. Ensure the position chosen for the compass does not restrict access to these holes. Fit the two plastic plugs (provided with the binnacle kit) after correction. If the compass is fitted in an exposed position the two plugs should be fitted using a suitable sealant to ensure water tightness.

Exploded View of Sestrel Navigator Compass Binnacle

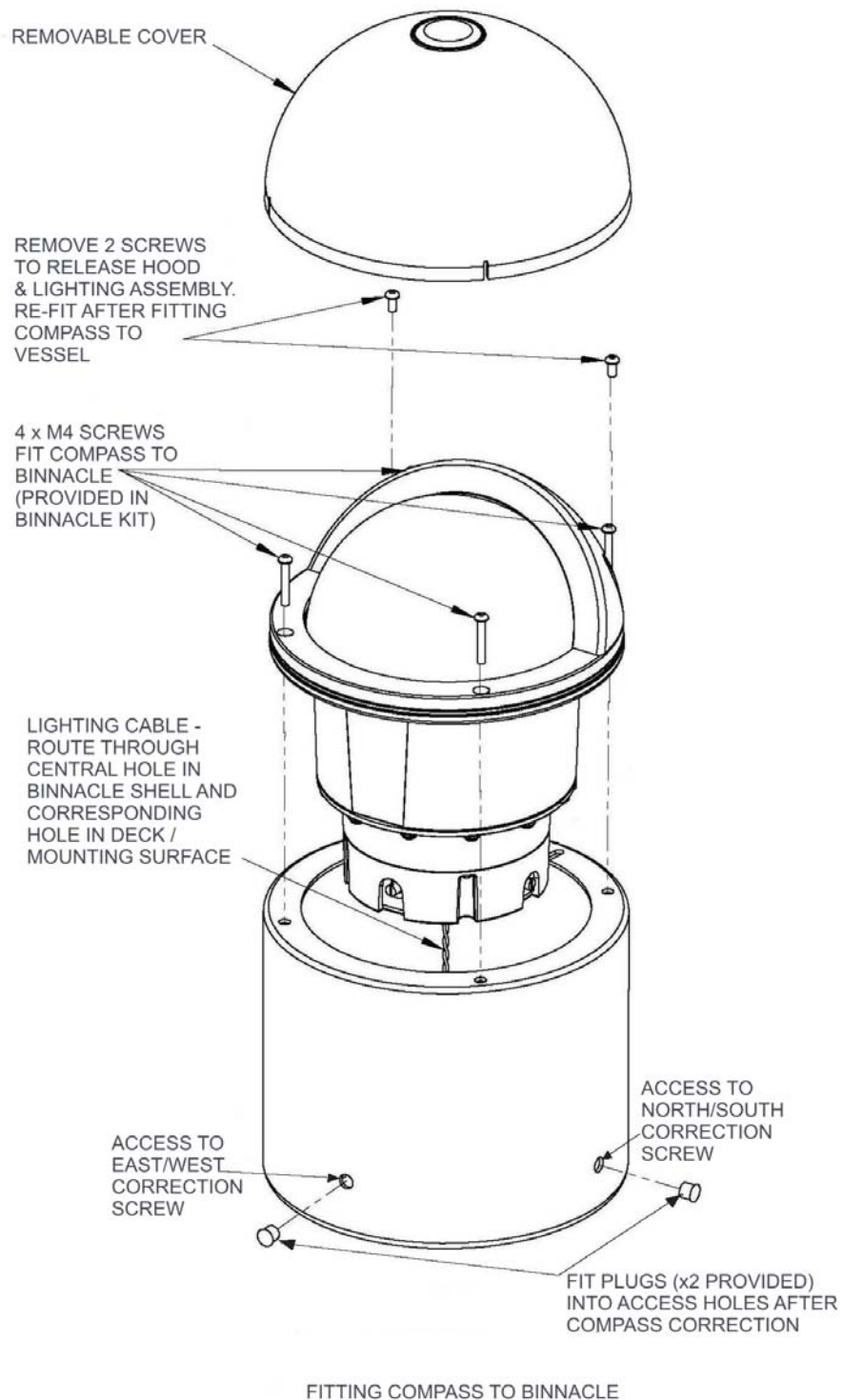


Fig. 2

Access to Heeling Correction

If the compass requires heeling correction then the correction housing can be accessed as shown in Figure 3 below. Appropriate magnets can be fitted to one or both pockets before reassembly.

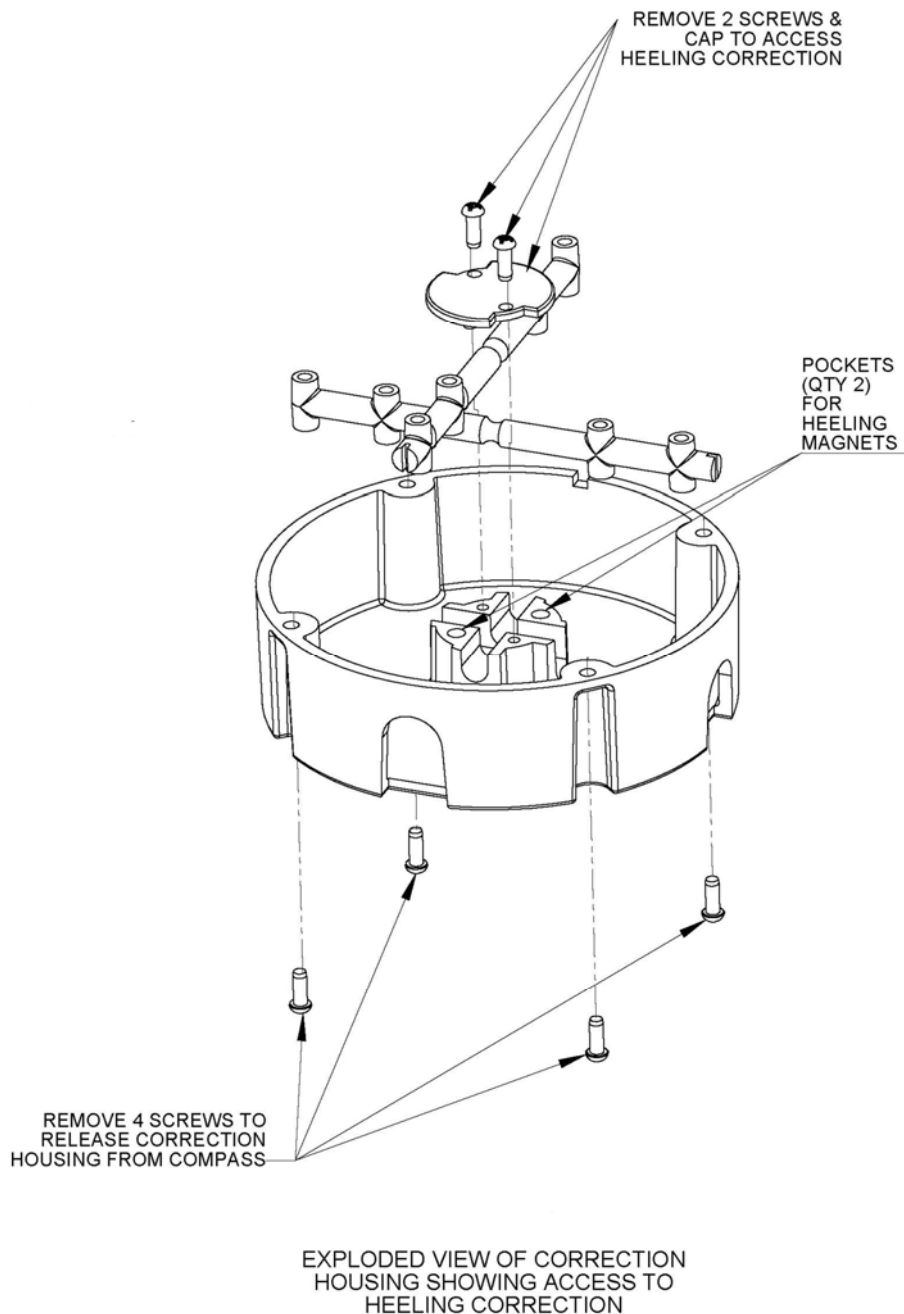


Fig. 3

TECHNICAL INFORMATION

Material

Aluminium alloy binnacle and bezel. All other parts are injection moulded in Polycarbonate/ABS blend Polymer.

Correction

B & C correction built in on both Well-Fit & Binnacle versions.

Heeling correction pockets included (user to provide magnets).

Quadrantal Correction (QC) kit is available as an option for the Binnacle version.

Lighting

2 x red LED with built-in drive circuit allowing connection to 12V or 24V D.C. boat supply.

Weights

Well Fit 2.2kg

Binnacle 2.8kg

Binnacle with Quadrantal Correction 4.1kg

Colour

Black or White on all models.

Apparent Card Diameter

135mm

Optional Extra

Sestrel Navigator Compass Lighting Control (*FW7710*)

OPTIONAL EXTRA

Sestrel Navigator Compass Lighting Control

The Sestrel Navigator Compass Lighting Control allows for the dimming of the compass's internal lighting when used at night time.

Sestrel Navigator Compass Lighting Control Fitting

The Sestrel Navigator Compass Lighting Control is supplied pre wired with a 1 metre tail of 4 core cable.

The connections are:

Yellow = V Positive Input (12v to 24v D.C.)

Green = V Negative Input (12v to 24v D.C.)

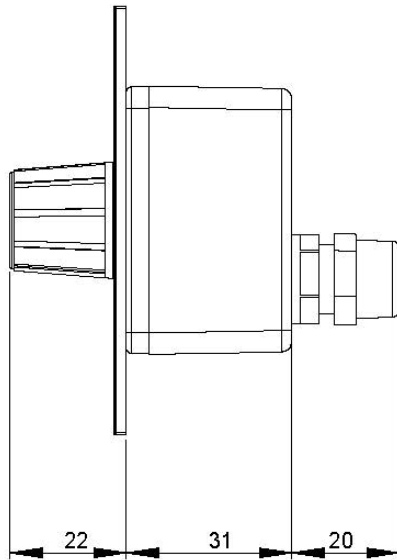
Red = V Positive Output to Compass

Blue = V Negative Output to Compass

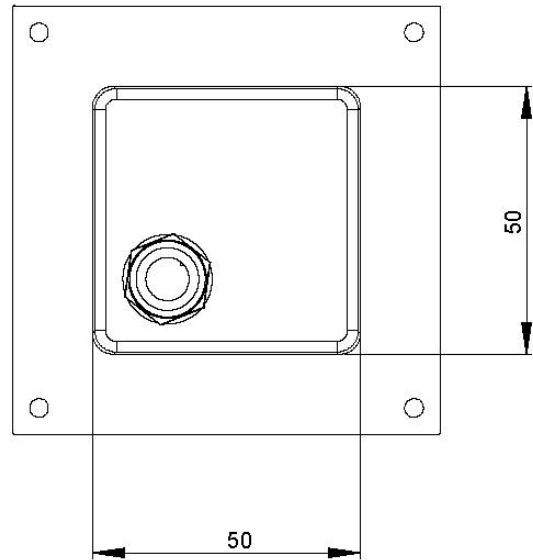
To fit the unit to the instrument panel, drill and cut out an aperture to suit the 50 mm square body as indicated on page 9. Drill four holes for fixing screws on the 70mm square centre per front view page 9. Secure the dimmer to the panel using 4 x 3mm countersunk screws (not provided).

The front of the unit, indicated by the control knob, is protected to IP54. If the unit is to be installed in an exposed position the front plate must be suitably sealed to the mounting surface/instrument panel by the installer. This is to ensure the rear of the unit and its wiring is not exposed to water.

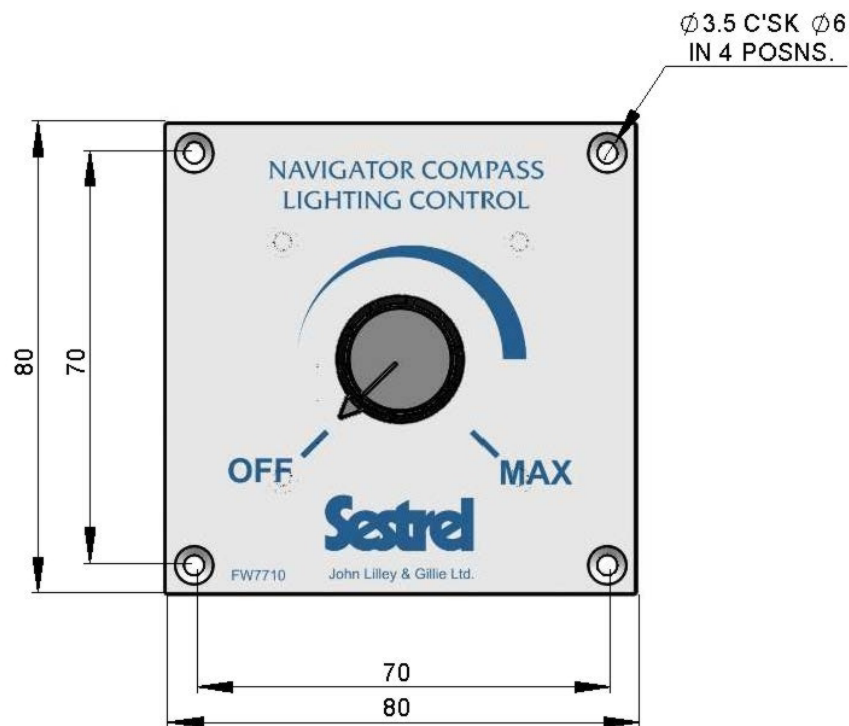
Detailed views of the Sestrel Navigator Compass Lighting Control



Side View



Rear View



Front View

DEVIATION CARD

DEVIATION WEST

DEVIATION EAST

10° 9° 8° 7° 6° 5° 4° 3° 2° 1° 0° 1° 2° 3° 4° 5° 6° 7° 8° 9° 10°

0°																					▲	
30°																					▲	
60°																					▲	
90°																					▲	
120°																					▲	
150°																					▲	
180°																					▲	
210°																					▲	
240°																					▲	
270°																					▲	
300°																					▲	
330°																					▲	
0°																					▲	

HEADING (COMPASS)

HEADING (MAGNETIC)

VESSEL: _____

DATE: _____

CONTACT DETAILS

If there are any enquiries regarding this product or any other currently supplied by John Lilley & Gillie Limited then please contact:

John Lilley & Gillie Limited

Tel: +44 (0)191 257 2217

Fax: +44 (0)191 257 1521

E-Mail: sales@lilleyandgillie.co.uk

Web: www.lilleyandgillie.co.uk

