

## Dimension sheet for REFLECTA/4

**A** (Thickness of deck and foundation<sup>1</sup>)

 mm

**B** (Height of wheelhouse)

 mm

**C** (Thickness of platform)

 mm

**F** (Ceiling)

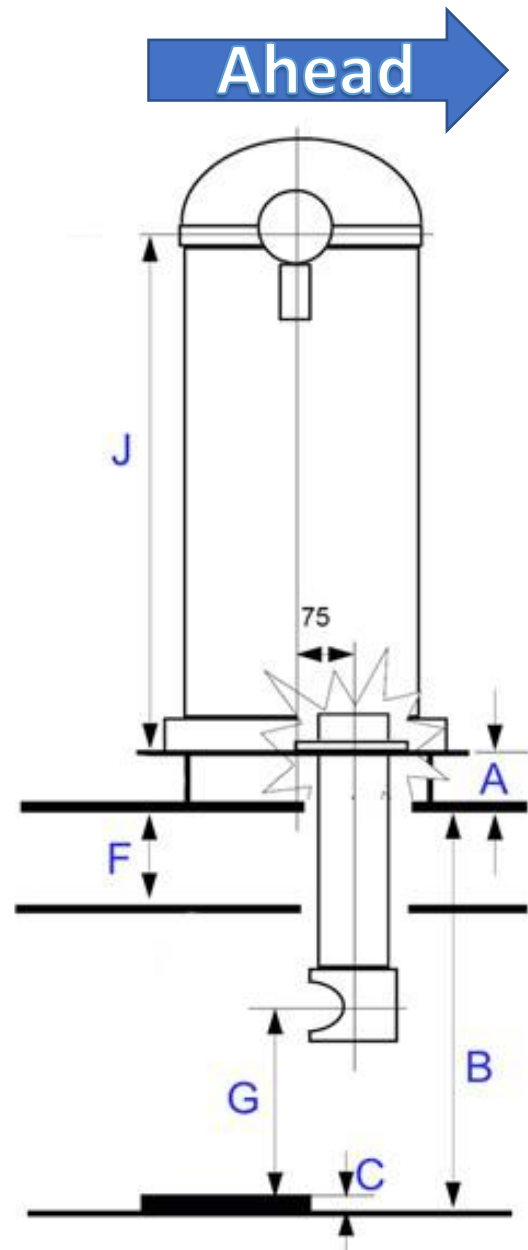
 mm

**G** (Height of reflection mirror<sup>2</sup>)

 mm

**J** (Card height above base)

= 650mm (standard)



Ship's MAIN voltage

24V  115V  230V

Ship's EMERGENCY voltage

24V  115V  230V

**Remark CUTUBE:**

*In case the specifications are unknown we recommend ordering a CUTUBE reflection tube. The maximum length is 1,000mm and can be cut by the yard to the required length.*

<sup>1</sup> Foundation supplied by yard

<sup>2</sup> Height of eye + 100mm (without specification = 1,800mm)

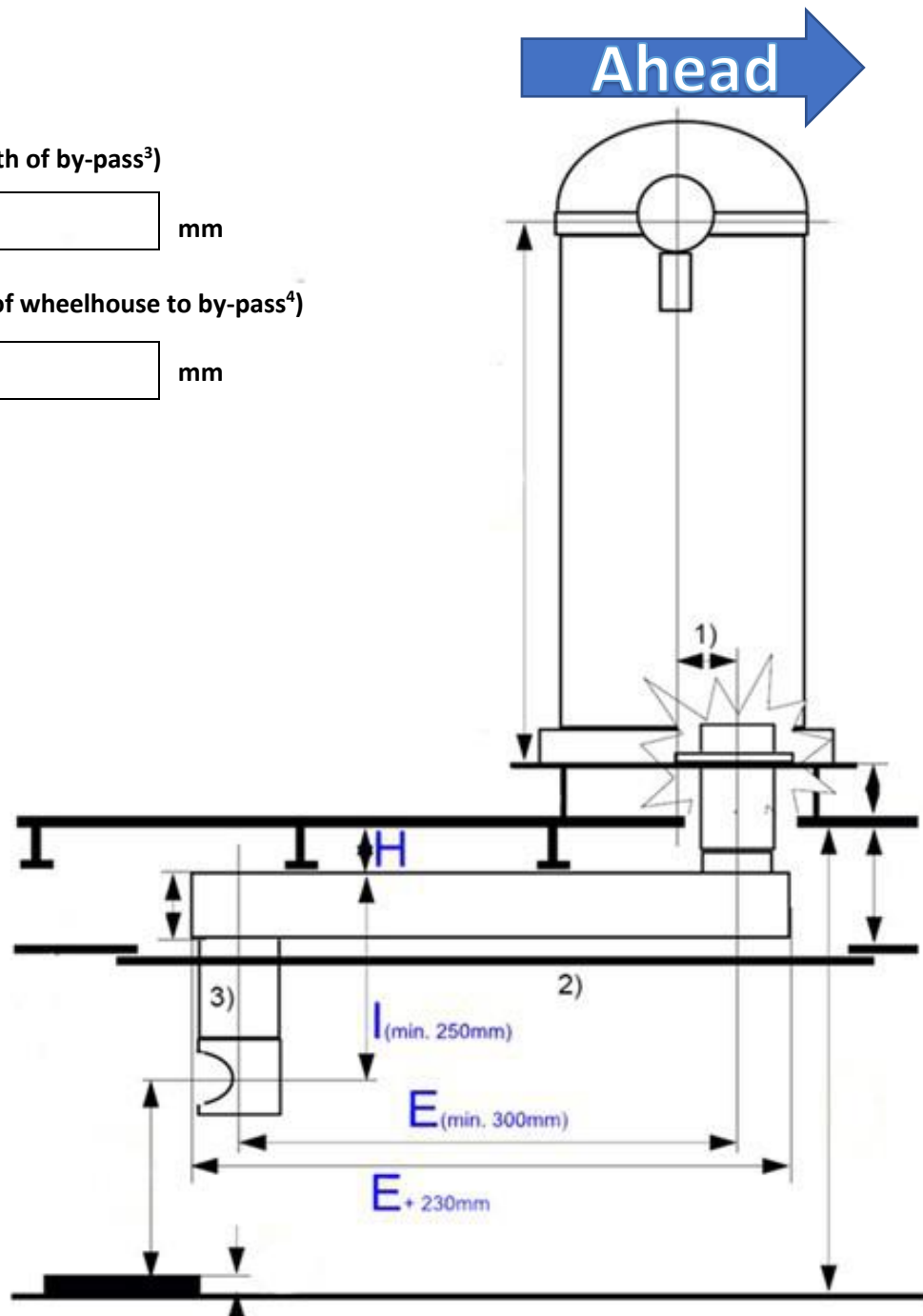
## By-pass for REFLECTA/4

**E** (Horizontal length of by-pass<sup>3</sup>)

mm

**H** (Distance roof of wheelhouse to by-pass<sup>4</sup>)

mm



<sup>3</sup> Maximum optical way (A+H+E+I) = 3,000mm